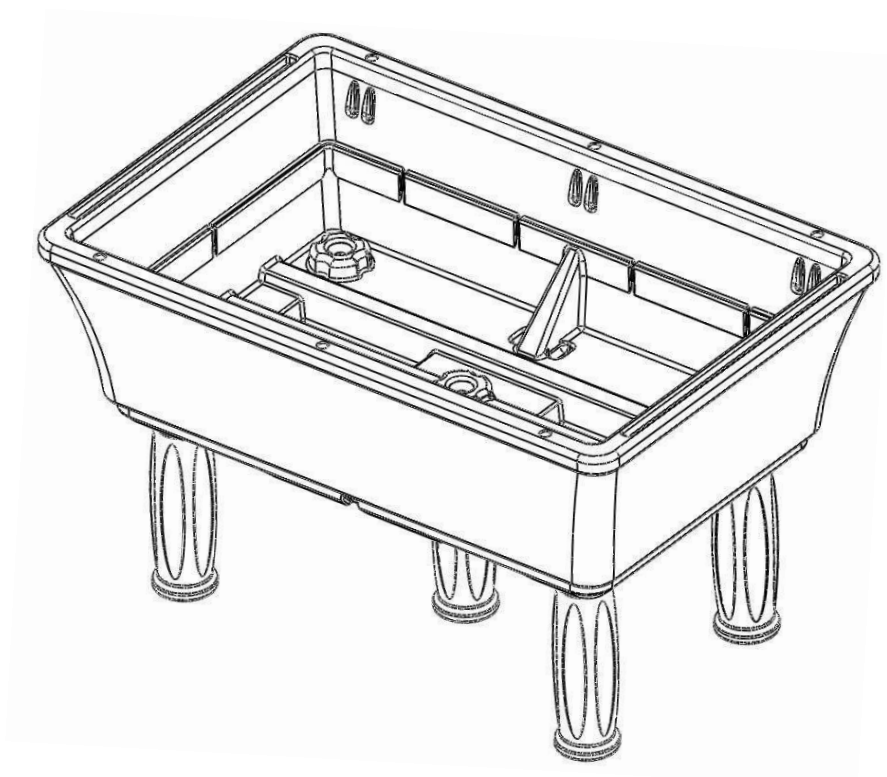


garden4me

BRINGING THE JOY OF GARDENING TO EVERYBODY

RAISED GARDEN USER MANUAL & SAFETY GUIDE



November 2016

Contents

- USER MANUAL AND SAFETY GUIDE 3
- Before Use 3
- Contents Delivered 3
- RAISED GARDEN - ASSEMBLY INSTRUCTIONS 4
- The Legs 4
- Capillary Wick & Matting 6
- FILLING YOUR RAISED GARDEN WITH GROWING COMPOST 7
- WATERING 9
- SAFETY GUIDE 10
- GUARANTEE AGREEMENT 10
- REGULAR CARE AND MAINTENANCE 10
- RETURNS POLICY 11
- Garden4me CONTACT DETAILS 12

USER MANUAL AND SAFETY GUIDE

Before Use

Congratulations and thank you for purchasing a garden4me Raised Garden.

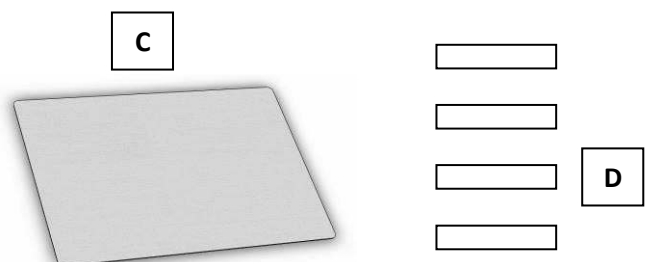
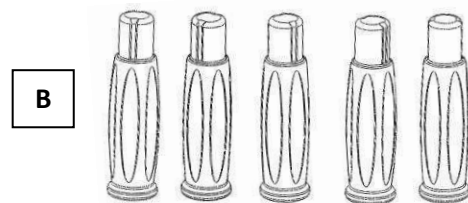
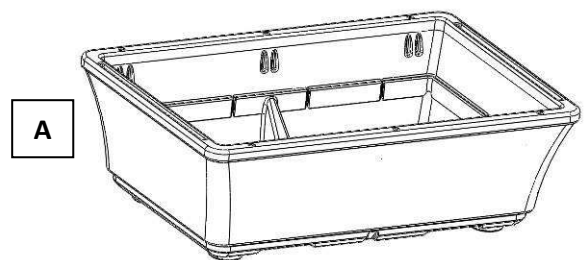
We at garden4me are proud of our unique Raised Garden and we know you will get many years gardening enjoyment from it.

Before using your Raised Garden please make sure you read and follow these installation and safety instructions.

Contents Delivered

Your garden4me carton contents are:

- A) Raised Garden x 1
- B) Legs x 5
- C) Capillary Mat x 1
- D) Capillary Wick x 4
- E) This Manual and Safety Guide x 1



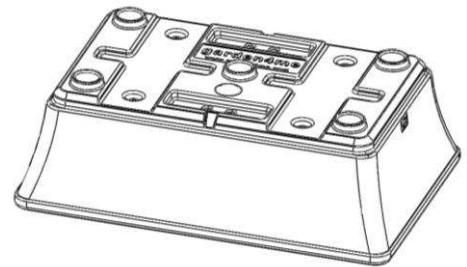
RAISED GARDEN - ASSEMBLY INSTRUCTIONS

The Legs

1. With the protective film still on the main body, upturn your Raised Garden.

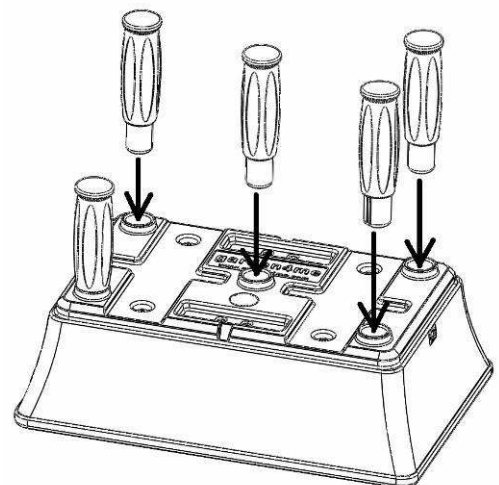
Please avoid placing the surface of your Raised Garden on any rough surfaces as this may result in scratches.

Handy Tip – why not use the flattened shipping carton to place your raised garden on for assembly.

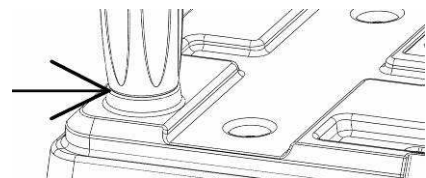


2. Line up each leg and push straight into the socket. Ensure all 5 legs are pushed fully in. If any of the legs are tight and do not fully sit into the socket even with a reasonable amount of force, you can place a flat piece of timber over the leg foot and tap it gently with mallet or hammer to complete the process.

NOTE – Do not strike the leg directly with hammer or mallet.



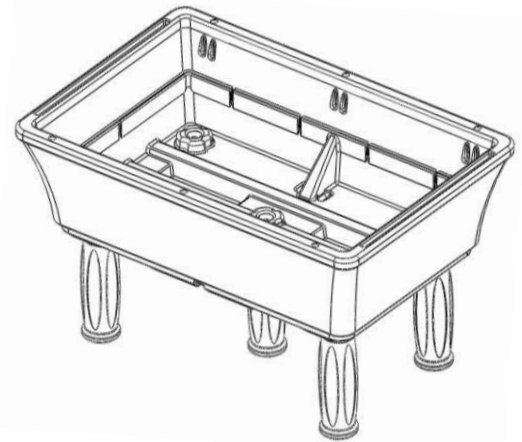
3. Ensure **no gap**



4. Turn over your Raised Garden and place it where you wish to use it.

This can be outdoors in the garden, on your patio, terrace, balcony, or in your conservatory, orangery, greenhouse, or elsewhere indoors.

When positioning your garden4me4 Raised Garden on a balcony, you must ensure that the balcony where it is to be located is large enough to fit the product dimensions which are: 1200mm x 800mm x (height 700mm). When filled to capacity, the maximum allowable weight in the Raised Garden is 300Kg and you should therefore ensure that the balcony will safely accommodate such weight, taking into account any further weight from any other sources and at any other times Garden4me cannot accept any liability in respect of a Raised Garden being placed on a balcony or elsewhere.

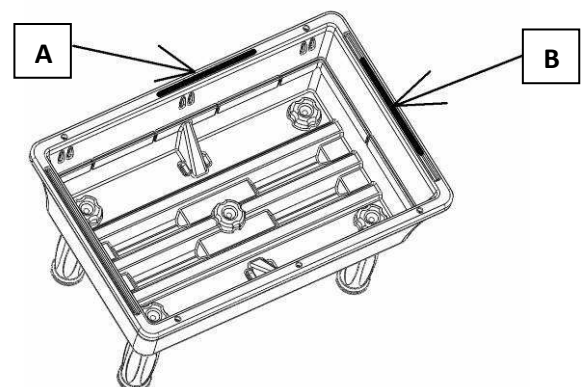


Important

- Maximum weight capacity of your Raised Garden is 300 Kg.
- For the best performance your garden4me Raised Garden and its self-irrigation system it should be located on a flat, level, with all 5 legs in contact with ground.
- **BEFORE** you start to fill your Raised Garden you should ensure all 5 legs share the load and it is in the correct location as once you fill it you should not move it again unless you completely empty it first. Failure to follow this process could lead to damage to your raised garden.
- You may choose to use a spirit-level to ensure your Raised Garden is level.

5. Place spirit-level on top surface "A" and ensure reasonably level.

Place spirit-level on top surface "B" and ensure reasonably level.

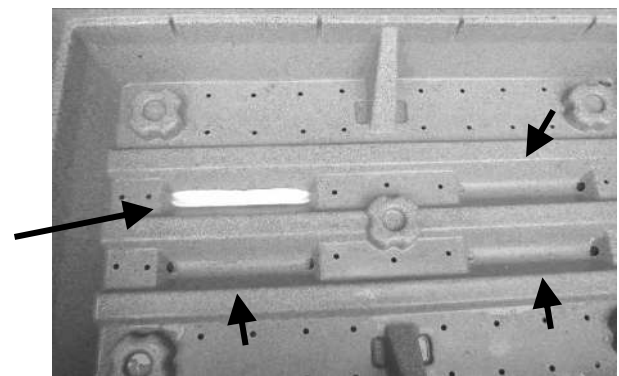


Capillary Wick & Matting

YOU ARE NOW READY TO INSTALL THE CAPILLARY WICK & MATTING

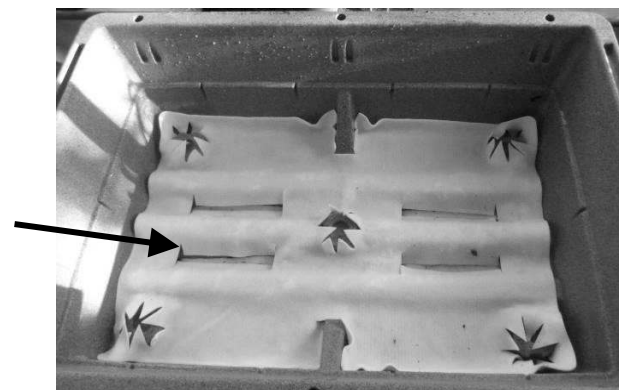
6. Place the Capillary Wicks in the 4 water troughs in the base. Ensure the Wicks are pushed through the end holes in the troughs.

This will ensure the Capillary Wicks are in contact with water in the Raised Garden reservoir.



7. Place the Capillary Mat in the base of the Raised Garden. Fit around the leg tops and centre rib.

Ensure the Capillary Mat flaps fit down into the water troughs.



FILLING YOUR RAISED GARDEN WITH GROWING COMPOST

YOU ARE NOW READY TO FILL YOUR RAISED GARDEN WITH GROWING COMPOST.

- There are many different types of compost. Please check with your local garden centre for the most suitable type for the plants you wish to grow in your Raised Garden.
 - **Maximum compost capacity in your Raised Garden is 240 Litres.**
8. Start by placing small quantity of compost into the 4 troughs. This ensures the Capillary Matting is held down in the correct position and the capillary feature of the irrigation system will work efficiently.



9. Continue filling evenly with your growing compost.

Use up to a maximum 240 Litres of compost

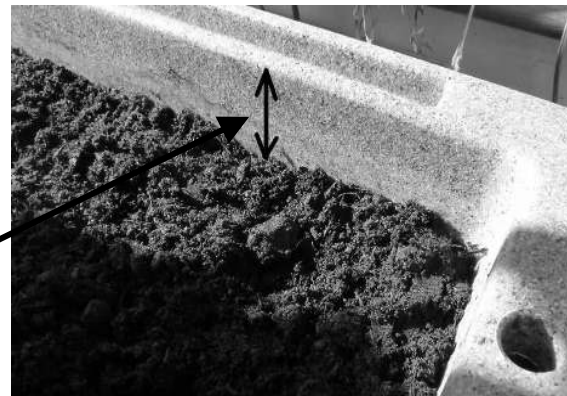


10. Leave distance of approximately 40 mm to top.

This gives capacity of Raised Garden at 240 Litres.

Do NOT overfill.

**40 mm
Distance**



11. Your garden4me Raised Garden is now ready to plant.



IMPORTANT - WARNING

Reminder - Once your Garden4me Raised Garden has been filled with soil or compost it should not be moved.

WATERING

FILL INTERNAL RESERVOIR WITH 20 LITRES OF WATER

12. Place water into the Raised Garden using a funnel/watering can or other device using one of the holes on the top outer rim, and fill with 20 Litres of water. Alternatively, you can use the built in narrow water troughs located in the top rim at either end of your Raised Garden.

If your Raised Garden is not level the water capacity in the reservoir will be less than 20 Litres.

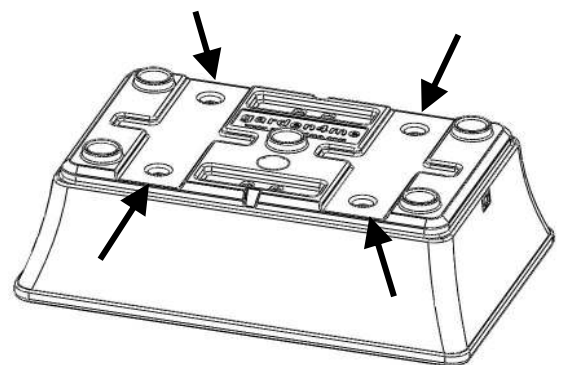
NOTE there are 4 internal overflows built into the base of your Raised Garden and if it is not flat to the surface one or more of these may weep before you reach 20 litres.

Excess water will overflow from these 4 holes when capacity is exceeded.

Please be aware that if you are using your Raised Garden indoors you may experience excess water below the Garden due to the automatic overflow feature if you overfill it.

13. If your Raised Garden is located outside, the reservoir can fill automatically due to rainfall. Please note that when the reservoir is full it will automatically overflow.

Location of the 4 automatic overflows on the underside of your Raised Garden



YOUR garden4me RAISED GARDEN IS NOW READY FOR USE HAVE FUN AND ENJOY!

SAFETY GUIDE

- **MAXIMUM FILLING CAPACITY - 240 LITRES.**
- **MAXIMUM LOADED WEIGHT - 300 Kg.**
- Your garden4me Raised Garden is a gardening product and must not be used for ANY non-gardening activities.
- Do NOT use as a play area for children OR allow children to crawl or sit underneath or inside it.
- Do NOT allow pets to play or sleep in or underneath the Raised Garden.
- Do NOT try to lift the Raised Garden when full.
- Do NOT knock over your Raised Garden or allow it to fall on anything or anybody.
- Do NOT expose naked flame to Raised Garden.
- When placing on balcony follow instructions on page 5, section 4.

GUARANTEE AGREEMENT

- The Raised Garden body and legs come with a life-time guarantee against rotting where used under normal conditions in the UK and Ireland.
- The guarantee is valid from the date of purchase.
- Capillary matting and wicks should be changed annually and are guaranteed for one year*.

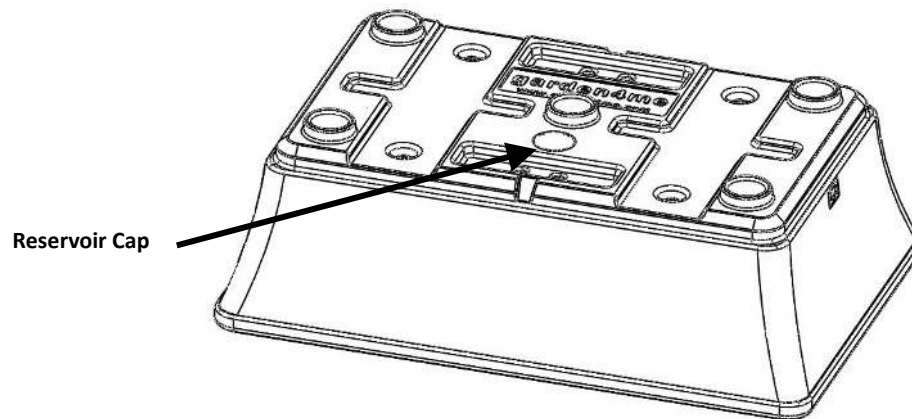
REGULAR CARE AND MAINTENANCE

Cleaning External Surface

- Your Raised Garden can be easily cleaned with water or soapy water. Do **not** use chemical cleaners.
- When your Raised Garden is fully empty of growing compound you can safely clean the complete Raised Garden.

Internal Water Reservoir Cleaning

- From time to time you may wish to clean out the Raised Garden internal water reservoir.



- This can easily be done by using a hose pipe to clean out the reservoir.
- Firstly, you **MUST** completely empty the Raised Garden of all growing compost, then remove the Capillary Wicks and Matting*.
- Upright the Raised Garden and place on a non abrasive surface to avoid scratches. Refer back to notes in the 'Assembly Instructions' at the start of this user manual.
- Remove Water Reservoir Cap by carefully prising open with flat head screwdriver.
- Wash out the internal reservoir with hose pipe.
- When finished, replace Cap and ensure pushed firmly home.

***After the cleaning process, you may wish to replace the Capillary Wicks and Matting. Please re-order these accessories from our website. www.garden4me.co.uk**

RETURNS POLICY

Q. What do you do if the items you receive are damaged?

A. Please contact us by email or telephone within 7 days of receipt of the goods and we will discuss the options with you.

Garden4me CONTACT DETAILS

Garden4me Ltd, 3000 Aviator Way, Manchester Business park, Manchester, M22 5TG, United Kingdom

Telephone 0161 641 6859

Web www.garden4me.co.uk

Email enquiries@garden4me.co.uk